



Detachable Gooseneck Trailer

NET CAPACITY	110,000 lbs (49,895 kg)
ESTIMATED WEIGHT	20,200 lbs (9,163 kg)
DECK LENGTH	25 ft (7.62 m)
DECK WIDTH	102 in (2.59 m)



Unit shown with optional stinger/flip, hydraulic power unit and 30 in (0.76 m) bolt on front flip ramps.

DETACHABLE GOOSENECK TRAILER
503-554 SS SF

KEY FEATURES

- Air-activated, gooseneck to deck self-locking system, with a 26 inch (0.66 m) wide trough for fast and easy hook-up.
- Fabricated full depth outriggers for strength where you need it.
- Driver's side control ratchet system allows four deck height settings and will accommodate different tractor 5th wheel heights.
- Reinforced for future 4th axle and stinger/flip.

Standard Specifications

Dimensions	
Net capacity	110,000 lbs (49,895 kg) capacity in 12 ft (3.66 m) load concentration with stinger/flip**
Yield strength of steel construction	100,000/80,000 psi (6,895 bar/5,516 bar)
Deck	
Height (loaded)	24 in (0.61 m)
Length	25 ft (7.62 m)
Width	102 in (2.59 m)
Ground clearance (loaded)	8 in (0.2 m)
Gooseneck	
Height (5th wheel)	47-52 in (1.19-1.32 m)
Length	13 ft 2 in (4.01 m)
Swing clearances	114 in and 92 in (2.9 m and 2.34 m)
Trough width	26 in (0.66 m)
Axles	
	3 axles
Nominal capacity	25,000 lbs (11,340 kg)
Spacing	54-1/2 in (1.38 m)
Frame Reinforcing Reinforced for optional 4th axle and stinger/flip. Connections, air and electric are provided.	
Base unit weight (estimated)	20,200 lb (9,163 kg)

Gooseneck	
Design	Non-ground bearing hydraulic self-lifting detachable gooseneck able to lift above or below transport position. (Includes frame lift support)
Power source	Wet kit operation (less tractor portion)*
Gooseneck to deck lock	Air-activated, self-locking system (Positive Lock)
Controls	Driver's side, at rear of gooseneck
Ratchet	Allows four position deck height settings

Deck	
Beams	Four full depth 16 in (0.41 m) cambered
Crossmembers	Heavy duty I-beam
Knuckle trough	Last three crossmembers lowered between main beams with special knuckle trough
D-rings	Six per side of deck (12 total)
Outriggers	Twelve swing-out, full depth outriggers per side (24 total)
Decking	2 in (5.1 cm) nominal Apitong boards for outer deck (center portion open)
Rear drop	30°
Rear bolster	3/4 height

** Concentration loads are at 60 mph.

* Operating Pressure/GPM

Wet kit system requires 3,000 psi (206.8 bar) at 10 gpm.

Maximum flow to lift load at full capacity. ALL WEIGHTS ARE +/- 3%.

Detachable Gooseneck Trailer

503-504 SS SF

Standard Specifications

Subframe	
Suspension	Air ride suspension with automatic and adjustable height controls
Axes	3 axes
Nominal capacity	25,000 lbs (11,340 kg)
Spacing	54-1/2 in (1.38 m)
Tires	12 tires
Size	255/70 R 22.5 H
Wheels	12 wheels
Size	8.25 in x 22.5 in
Type	Hub piloted steel disc wheels
Seals	Stemco with grit guard
Hub type	Oil seals
Brakes	16-1/2 in x 7 in (0.42 m x 0.18 m) spring brakes
Brake air drain	Remote to drivers side
Slack adjusters	Automatic
Sign pockets	Wide load sign pockets (no sign included)
Mudflaps	Rubber anti-spray/anti-sail
Excavator cut-out	First 4 ft (1.22 m) is bottom plated, then open to tailgate

Finish	
Lights	DOT rubber mounted sealed LED lights
Tail	Three per side (standard)
Signal	Mid-turn signal, clearance light
Wiring harness	Modular
Paint	Terex white polyurethane

Options

Dimensions	
Deck width	9 ft (2.74 m)
Goosenecks	
Length	Swing
12 ft 9 in (3.89 m)	108 in (2.74 m) and 86 in (2.18 m)

Gooseneck	
Hydraulic power unit	13 hp Honda with variable mountings
Gooseneck fenders	12 ft 9 in (3.88 m) and 13 ft 2 in (4.04 m)
Spare tire carrier	Located over kingpin

Deck	
Drop side deck	6 in (0.15 m) drop
Deck length	26 ft (7.92 m) or 28 ft (8.53 m)*
	*12 ft 9 in (3.88 m) gooseneck required
Front ramps	30 in (0.76 m) flip ramp - bolt on 10 in (0.25 m) fixed ramp - weld on

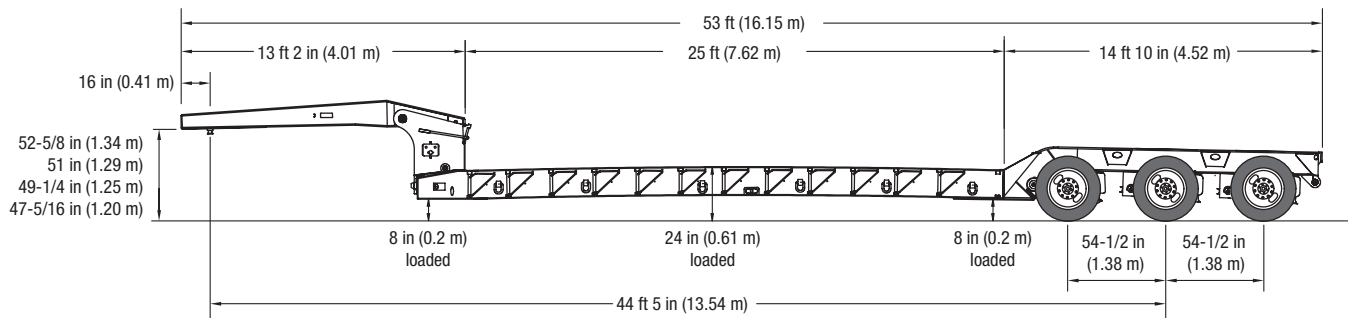
Reinforcements	
Deck	12 in (0.31 m) crossmember spacing in outer bays
D-rings	Additional 4 pair - standard location
Apitong decking	Outrigger planks, center decking secured
Storage space	Expanded metal between deck mainbeams (per ft)

Subframe	
Axle option	Third axle air lift
Height control	Air regulated
Scale system	Airweigh
Tires	12 tires
Size	275/70 R 22.5 H
Brakes	Spring brakes on all axles
3rd tail light with strobe	With no battery or with gel cell battery
Aluminum wheels	Outside polished/steel inside or outside polished/inside aluminum machine finished
Axle spacing	60 in (1.52 m)
Covered wheel wells	Covers for 54-1/2 in (1.38 m) or 60 in (1.52 m) axle spacing
Full width wheel covers	Center fill in with 54-1/2 in (1.38 m) or 60 in (1.52 m) axle spacing
Sign pockets (standard)	Wide load sign included
Excavator cut-out	Backhoe tray-bolt on

Finish	
Paint	Paint-color match acrylic enamel

Optional components	
Spreader bar	SB141
Flip Axle	FL201SF

Dimensions



Preliminary dimensions and specifications subject to change without prior notice.



For more information, product demonstration, or details on purchase, lease and rental plans, please contact your local Terex® Load King dealer.

701 East Rose Street
P.O. Box 427
Elk Point, SD 57025
U.S.A.

TEL +1 605-356-3301
TOLL FREE +1 888-264-5522
FAX +1 605-356-3268
EMAIL sales@loadkingtrailers.com
WEB www.terex.com
www.loadkingtrailers.com